

# ROBUS®

INDUSTRIAL

## SELEST PLUS LED FLOOD LIGHT

10W/20W, 30W/50W, IP65



### PRODUCT INFORMATION DOCUMENT

#### FEATURES

- Full range providing energy efficient, low maintenance replacement for metal halide and halogen floodlights up to 250W/1000W respectively
- Standard and PIR versions with manual override
- Equipped with switches which allows switching colour temperature between 3000K, 4000K and 5000K and power between 10W and 20W or 30W and 50W
- Equipped with self regulating valve to prevent moisture condensation
- Tempered glass providing high impact rating of IK07 for standard and IK06 for PIR version

#### CONSTRUCTION

- Powder-coated die cast aluminium housing
- Tempered glass diffuser
- Steel bracket and stainless steel screws



Product Code:	Standard	RST1020CCT3-04	RST3050CCT3-04
PIR		RST1020CCT3P-04	RST3050CCT3P-04
Comparable to:		50W/100W metal halide/200W/400W halogen	150W/250W metal halide/600W/1000W halogen
Total Power (W):		9.9/19.2	28.9/47.5
Power Factor:		0.9	0.9
Total Light Output (lm):		1490/2770	4390/6850
Efficacy (lm/cctW):		152/145	152/144
Lux at 1m (lux):		590/1090	1740/2670
CCT (K):		3000/4000/5000	3000/4000/5000
CRI:		80	80
IP:		65	65
Operation Temperature (°C):		-20 ≤ Ta ≤ +50	-20 ≤ Ta ≤ +50
Inrush Current:		16A/20us	25.6A/26us
RG Value:		0	0
SDCM:		6	6
P <sub>ST</sub> LM:		NA	NA
SVM:		NA	NA
Energy Class:		D	D
Rated Life to L70B50 (Hrs):		50000	50000
Dimensions LxWxH (mm):		160x162x29 160x184x57	200x191x30 200x213x57
Weight (kg):		0.57 0.61	0.84 0.87

Separate Control Gear Information		
Type of Light Source:	LED	LED
Full Load Efficiency (%):	93	95
P <sub>NET</sub> (W):	NA	NA
Dimensions (mm):	70x15x20	120x27x20

Product is certified to all the relevant standards.  
Please contact our technical department for market specific compliances.

PLEASE NOTE: INFORMATION IN THIS DOCUMENT MAY BE SUBJECT TO CHANGE WITHOUT PRIOR NOTICE

IRE: TEL: +353 1 709 9000  
UK: TEL: 0800 973 220  
AUS: TEL: +61 7 3890 5444  
NZ: TEL: +64 03 668 5285

WEB: ROB.US.COM  
WEB: ROB.US.COM  
WEB: ROB.US.COM.AU  
WEB: ROB.US.LED.CO.NZ

LED GROUP EUROPE · UK · AUSTRALIA · NEW ZEALAND · ASIA · MIDDLE EAST · AFRICA

### SELEST PLUS LED FLOOD LIGHT

10W/20W, 30W/50W, IP65

#### Cone Illuminance Diagram

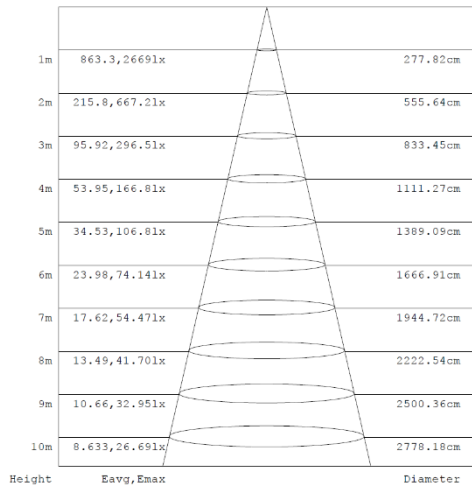


Diagram for RST3050CCT3-04 in 4000K. Other diagrams available on request

#### Polar Intensity Diagram

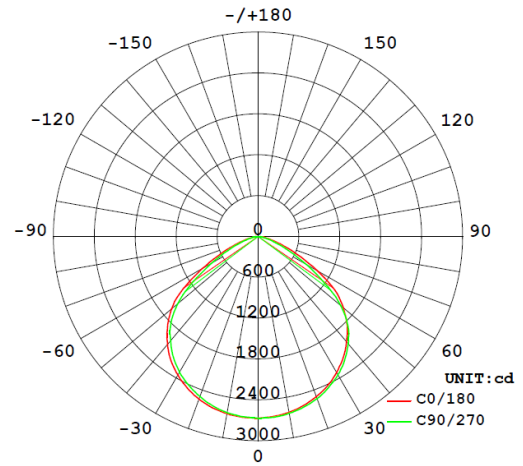
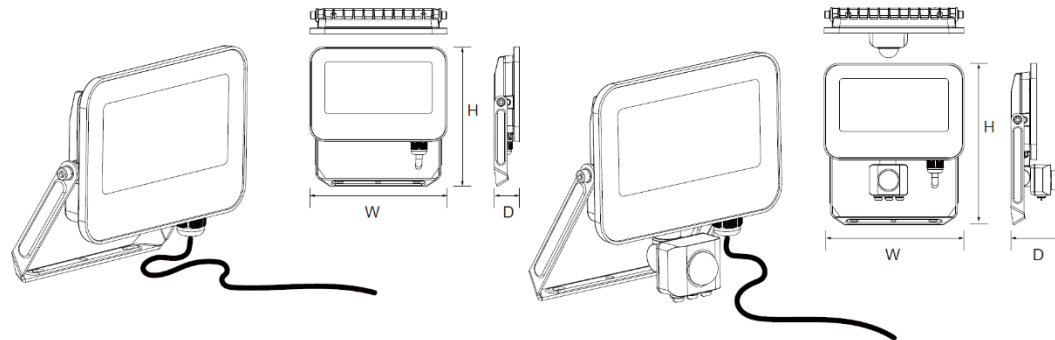


Diagram for RST3050CCT3-04 in 4000K. Other diagrams available on request

#### Dimension Diagram



	Wattage	W	H	D	Weight
RST1020CCT3	10W/20W	160mm	162mm	29mm	570g
RST3050CCT3	30W/50W	200mm	191mm	30mm	836g

	Wattage	W	H	D	Weight
RST1020CCT3P	10W/20W	160mm	184mm	57mm	610g
RST3050CCT3P	30W/50W	200mm	213mm	57mm	873g

#### Sensor Data

Time Off Delay:	10sec to 7min
Illuminance Switching Range:	10lx to 2000lx
Sensitivity Range (%):	NA
Mounting Height (max):	NA
Detection Zone Diameter (max):	12m

PLEASE NOTE: INFORMATION IN THIS DOCUMENT MAY BE SUBJECT TO CHANGE WITHOUT PRIOR NOTICE

IRE: TEL: +353 1 709 9000  
 UK: TEL: 0800 973 220  
 AUS: TEL: +61 7 3890 5444  
 NZ: TEL: +64 03 668 5285

WEB: ROB.US.COM  
 WEB: ROB.US.COM  
 WEB: ROB.US.COM.AU  
 WEB: ROB.USLED.CO.NZ

LED GROUP EUROPE · UK · AUSTRALIA · NEW ZEALAND · ASIA · MIDDLE EAST · AFRICA