

TRIUMPH SLIM LED FIRE RATED, COLOUR SELECTABLE

7W, IP65



PRODUCT INFORMATION DOCUMENT

FEATURES

- Colour temperature selectable; switch under trim allows selection between 3000/4000K
- LEDchroic optic & reflector achieving unequalled light distribution, uniformity and clarity, whilst replicating traditional dichroic aesthetics
- Shallow profile of only 52mm to fit in narrow ceiling voids
- Prewired with 200mm flex and push-in 3-way double connector block
- Tested for use with I-Joists & Metal Web Joists
- Designed and tested to retain the integrity of 30, 60 and 90 minute fire rated ceilings – compliant with Building Regulations Parts B, C and E

CONSTRUCTION

- Pressed steel and polycarbonate housing
- Die cast aluminium heat sink



WARRANTY



LIFETIME



LUMENS
PER W



FIRED
RATED



IP RATING



OPERATING
VOLTAGE



BEAM ANGLE



CCT



DIMMING



SAFETY
CLASS

Product Code:	RTS07X0-01
Comparable to:	50W halogen
Total Power (W):	6.5/6.5
Power Factor:	0.9
Total Light Output (lm):	600/640
Total Emergency Light Output (lm):	NA
Efficacy (lm/cctW):	94/99
Lux at 1m (lux):	580/610
Emergency Lux at 1m (lux):	NA
CCT (K):	3000/4000
CRI:	80
IP:	65
Operation Temperature (°C):	-20 ≤ Ta ≤ +40
Inrush Current:	0.26A/0.3ms
RG Value:	0
SDCM:	6
Pst LM:	NA
SVM:	NA
Energy Class:	E
Rated Life to L70B50 (Hrs):	50000
Dimensions ØxH (mm):	84x52
Cut out (mm):	70
Weight (kg):	0.2

Separate Control Gear Information

Type of Light Source:	LED
Full Load Efficiency (%):	80
P _{NET} (W):	NA
Dimensions (mm):	46x46x20

Product is certified to all the relevant standards.

Please contact our technical department for market specific compliances.

PLEASE NOTE: INFORMATION IN THIS DOCUMENT MAY BE SUBJECT TO CHANGE WITHOUT PRIOR NOTICE

IRE: TEL: +353 1 709 9000
 UK: TEL: 0800 973 220
 AUS: TEL: +61 7 3890 5444
 NZ: TEL: +64 03 668 5285

WEB: ROBUS.COM
 WEB: ROBUS.COM
 WEB: ROBUS.COM.AU
 WEB: ROBUSLED.CO.NZ

LED GROUP EUROPE · UK · AUSTRALIA · NEW ZEALAND · ASIA · MIDDLE EAST · AFRICA

ROBUS®

DOWNLIGHTS

TRIUMPHSLIM LED FIRE RATED, COLOUR SELECTABLE

7W, IP65

Cone Illuminance Diagram

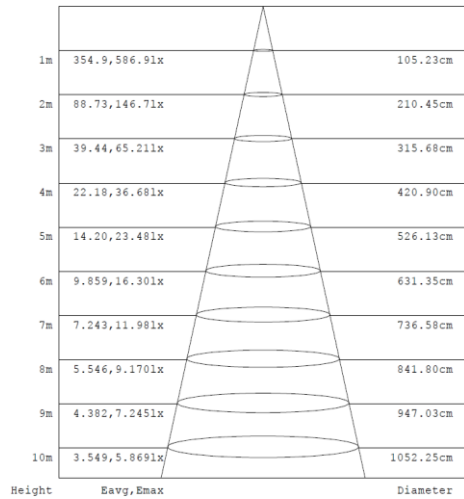
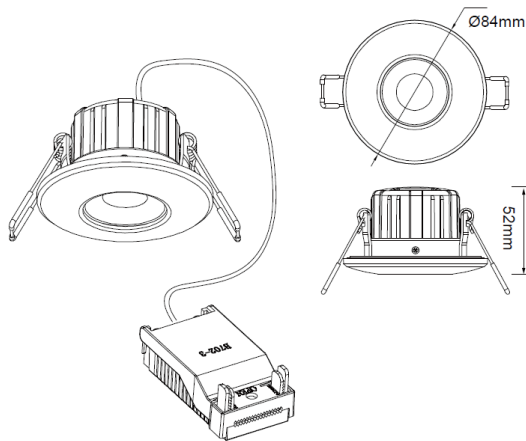


Diagram for RTS07X0-01 in 3000K. Other diagrams available on request

Dimension Diagram



Sensor Data

Time Off Delay:	NA
Illuminance Switching Range:	NA
Sensitivity Range (%):	NA
Mounting Height (max):	NA
Detection Zone Diameter (max):	NA

Polar Intensity Diagram

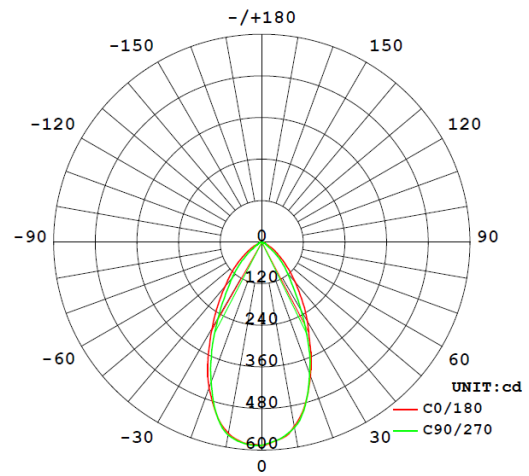


Diagram for RTS07X0-01 in 3000K. Other diagrams available on request

Accessories

RTSTRIM-03	Chrome Trim
RTSTRIM-10	Matt Black Trim
RTSTRIM-13	Brushed Chrome Trim
RBF230/4/M3WC	Plug & Play Emergency Pack

PLEASE NOTE: INFORMATION IN THIS DOCUMENT MAY BE SUBJECT TO CHANGE WITHOUT PRIOR NOTICE

IRE: TEL: +353 1 709 9000
 UK: TEL: 0800 973 220
 AUS: TEL: +61 7 3890 5444
 NZ: TEL: +64 03 668 5285

WEB: ROB.US.COM
 WEB: ROB.US.COM
 WEB: ROB.US.COM.AU
 WEB: ROB.US.LED.CO.NZ

LED GROUP EUROPE · UK · AUSTRALIA · NEW ZEALAND · ASIA · MIDDLE EAST · AFRICA