

ROXANA LED, COLOUR SELECTABLE 6W, IP44



PRODUCT INFORMATION DOCUMENT

FEATURES

- Colour temperature selectable; switch on the side of the fitting allows selection between 3000/4000/6500K
- Passes 850°C glow wire test
- Suitable to be covered with blown insulation
- Dimmable with selected dimmers (dimmer compatibility list available on website)

CONSTRUCTION

- Polycarbonate housing and diffuser
- Die cast aluminium heat sink
- Prewired with 300mm flex and push-in 3-way double connector block



WARRANTY



LIFETIME



LUMENS PER W



IP RATING



OPERATING VOLTAGE



BEAM ANGLE



CCT



DIMMING



SAFETY CLASS

Product Code:	RNA6CCT3-01
Comparable to:	50W halogen
Total Power (W):	6.4/6.6/6.4
Power Factor:	0.9
Total Light Output (lm):	560/650/610
Total Emergency Light Output (lm):	NA
Efficacy (lm/cctW):	89/100/97
Lux at 1m (lux):	220/250/240
Emergency Lux at 1m (lux):	NA
CCT (K):	3000/4000/6500
CRI:	80
IP:	44
Operation Temperature (°C):	-20 ≤ Ta ≤ +40
Inrush Current:	2.16A/0.4ms
RG Value:	0
SDCM:	6
Pst LM:	NA
SVM:	NA
Energy Class:	E
Rated Life to L70B50 (Hrs):	50000
Dimensions ØxH (mm):	95x51
Cut out (mm):	72
Weight (kg):	0.12

Separate Control Gear Information

Type of Light Source:	LED
Full Load Efficiency (%):	67
P _{NET} (W):	NA
Dimensions (mm):	42x42x13

Product is certified to all the relevant standards.

Please contact our technical department for market specific compliances.

PLEASE NOTE: INFORMATION IN THIS DOCUMENT MAY BE SUBJECT TO CHANGE WITHOUT PRIOR NOTICE

IRE: TEL: +353 1 709 9000
 UK: TEL: 0800 973 220
 AUS: TEL: +61 7 3890 5444
 NZ: TEL: +64 03 668 5285

WEB: ROBUS.COM
 WEB: ROBUS.COM
 WEB: ROBUS.COM.AU
 WEB: ROBUSLED.CO.NZ

LED GROUP EUROPE · UK · AUSTRALIA · NEW ZEALAND · ASIA · MIDDLE EAST · AFRICA

ROXANA

LED, COLOUR SELECTABLE

6W, IP44

Cone Illuminance Diagram

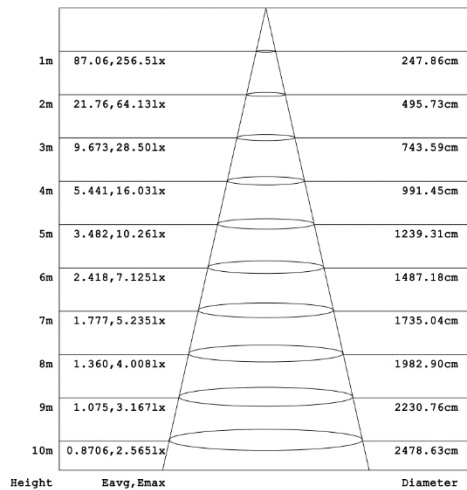
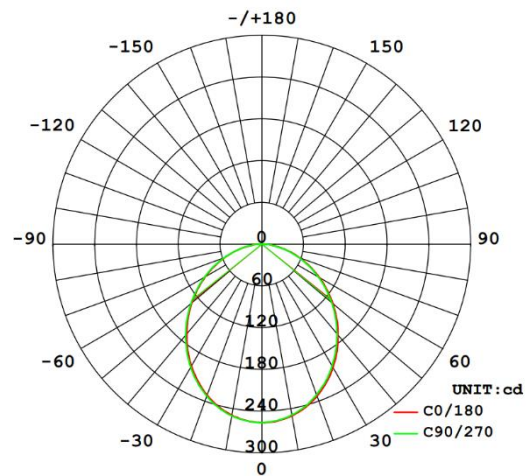
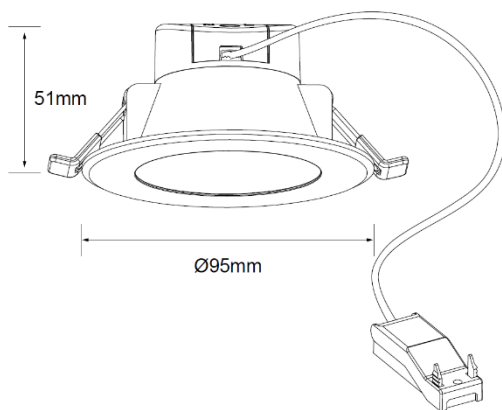


Diagram for RNA6CCT3-01 in 3000K. Other diagrams available on request

Polar Intensity Diagram



Dimension Diagram



Accessories

NA

Sensor Data

Time Off Delay:	NA
Illuminance Switching Range:	NA
Sensitivity Range (%):	NA
Mounting Height (max):	NA
Detection Zone Diameter (max):	NA

PLEASE NOTE: INFORMATION IN THIS DOCUMENT MAY BE SUBJECT TO CHANGE WITHOUT PRIOR NOTICE

IRE: TEL: +353 1 709 9000
 UK: TEL: 0800 973 220
 AUS: TEL: +61 7 3890 5444
 NZ: TEL: +64 03 668 5285

WEB: ROBUS.COM
 WEB: ROBUS.COM
 WEB: ROBUS.COM.AU
 WEB: ROBUSLED.CO.NZ

LED GROUP EUROPE · UK · AUSTRALIA · NEW ZEALAND · ASIA · MIDDLE EAST · AFRICA