

EARL 20W, 40W and 60W LED Batten, IP20, 0.6m, 1.2m, 1.5m and 1.8m, CCT selectable 3000K, 4500K, 6500K

This linear LED batten is 3 Colour Temperature Selectable. Its slim attractive design looks good in any installation. It is also simple to install and provides massive energy savings with efficacies of up to 130 luminaire lumens per circuit watt to reduce CO₂ emissions and the buildings carbon footprint



Applications:

- Apartments
- Communal areas
- Kitchen and canteen areas
- Reception areas and waiting rooms
- Stationery storerooms
- Car garage, shed or workshop
- Utility rooms and workstations

Construction:

White powder coated extruded aluminium base
 White polycarbonate end caps
 Opal diffuser
 Composite FR4/Aluminium PCB

Features:

- Available in 4 lengths and lumen packages
- Low profile white powder coated extruded aluminium base
- White polycarbonate end caps
- Opal diffuser
- Utilises high quality long life SMD LED technology
- Three colour temperature selectable
- Rugged solid-state lighting technology with no heat filaments or electrodes to fail
- Wide operating temperature range
- Removable end caps and diffuser
- Rear centre position cable entry point fitted with cable grommet
- Pre-punched slotted fixing points

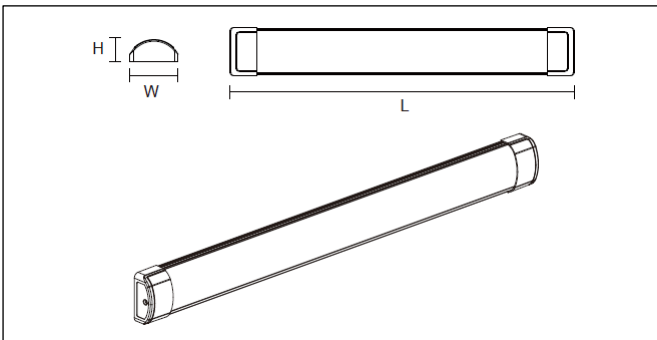
Benefits:

- Suitable for most batten applications in a variety of installations
- Shallow surface projection so ideal for low ceilings and provides simple neat aesthetics
- Reduces discomfort glare with uniform light spread
- Provides:
 - Long Rated LED Life
 - Comparable light output to T8 so is a one for one replacement
 - Makes energy savings of over 50% compared to fluorescent
 - Light output and colour is consistent over life
 - No maintenance costs for replacement tubes or access equipment hire
 - Provides compliance with current & foreseeable Building Regulation efficacy requirements
- Select warm, neutral or daylight white CCT to create a relaxing ambience or task oriented light colour
- Can be switched by external microwave, PIR and/or photocell so provides even greater energy savings when lighting not required
- Suited for use in areas not normally heated or occupied
- Provides fast access to the three Colour Temperature selector switch and incoming mains terminal block which is large enough for loop in/out wiring
- Provides fitting centre mounting alignment
- Ensures mains cable is not damaged during installation
- For fast and simple surface mounting with accurate alignment

PLEASE NOTE: INFORMATION IN THIS DOCUMENT MAY BE SUBJECT TO CHANGE WITHOUT PRIOR NOTICE

EARL 20W, 40W and 60W LED Batten, IP20, 0.6m, 1.2m, 1.5m and 1.8m, CCT selectable 3000K, 4500K, 6500K

Product Code:	RER2006CCT3-01	RER4012CCT3-01	RER6015CCT3-01	RER6018CCT3-01
Comparable to:	2x18W T8	2x36W T8	2x58W T8	2x70W T8
Total Power (W):	19.2/18.4/19.0	39.2/37.2/39.2	52.5/50.6/52.1	52.8/50.7/52.4
Total Light Output (lm):	2,010/2,240/2,160	3,340/3,960/3,580	5,910/6,530/6,290	6,030/6,650/6,450
Efficacy (lm / cctW):	105/122/113	85/106/91	112/129/121	114/131/123
Illuminance at 1m (Lux):	960/1,130/1,020	960/1,130/1,020	1,690/1,860/1,800	1,650/1,820/1,760
Beam Angle (deg):	120	120	120	120
CCT (K):	3,000/4,500/6,500	3,000/4,500/6,500	3,000/4,500/6,500	3,000/4,500/6,500
CRI (Ra):	80	80	80	80
Rated Life (hrs):	30,000	30,000	30,000	30,000
Warranty (yrs):	3	3	3	3
Ingress Protection (IP):	20	20	20	20
Impact Rating (IK):	08	08	08	08
Operating Temperature (°C):	-20 ≤ Ta ≤ +40	-20 ≤ Ta ≤ +40	-20 ≤ Ta ≤ +40	-20 ≤ Ta ≤ +40
Operating Voltage (Vac):	220-240	220-240	220-240	220-240
Power Factor (PF):	0.95	0.95	0.95	0.95
Height (mm):	40	40	40	40
Length (mm):	600	1,200	1,500	1,762
Width (mm):	85	85	85	85
Box Qty:	1	1	1	1
Weight (kg):	0.5	0.9	1.1	1.3



Standards & Approvals:

Complies with: EN60598-1, EN55015, EN 61000-3-2, EN 61000-3-3, EN 62493, EN61547, EN 62471

Cone Illuminance Diagram:

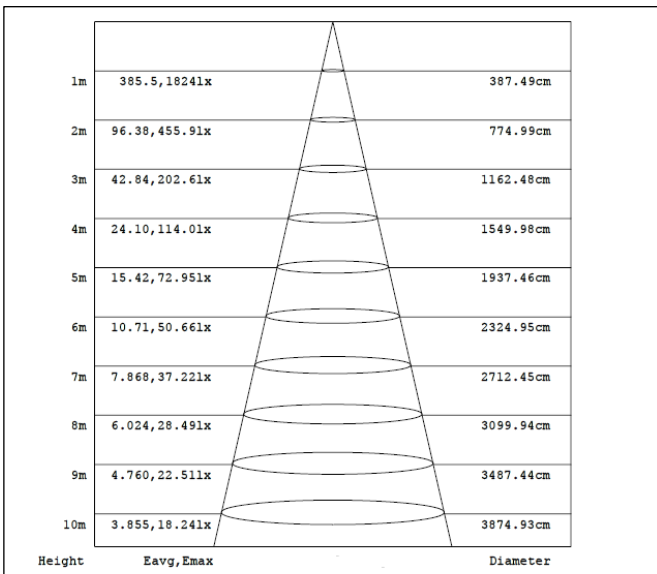
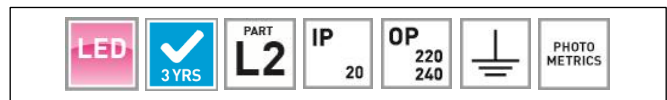


Diagram for RER6018CCT3-01 in 4,000K. Other diagrams available on request



Polar Intensity Diagram:

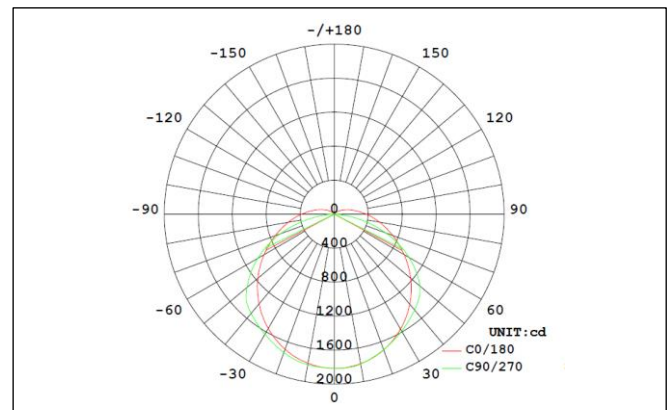


Diagram for RER6018CCT3-01 in 4,000K. Other diagrams available on request

PLEASE NOTE: INFORMATION IN THIS DOCUMENT MAY BE SUBJECT TO CHANGE WITHOUT PRIOR NOTICE

IRE: TEL: +353 1 709 9000
 AUS: TEL: +61 7 3890 5444

WEB: WWW.ROBUS.COM
 WEB: WWW.ROBUS.COM.AU

LED GROUP EUROPE · AUSTRALIA · NEW ZEALAND · ASIA · MIDDLE EAST · AFRICA