

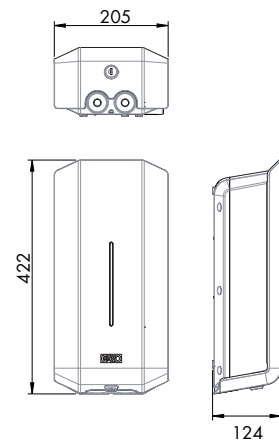
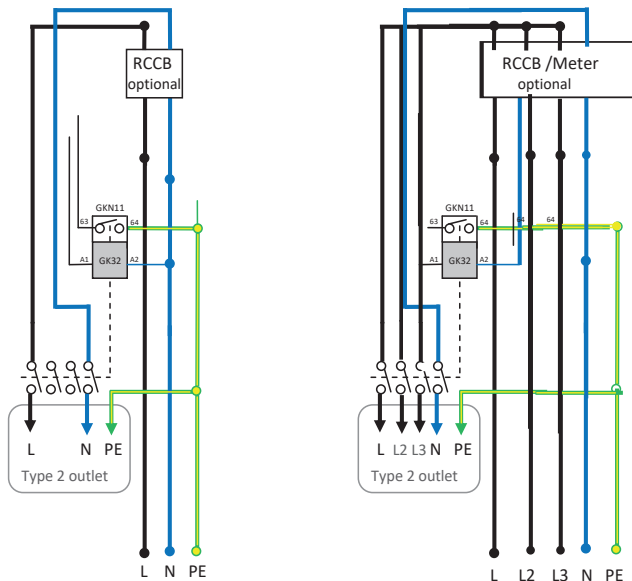
## Wall mounted Charger GLB (non OLEV)

Type: GLBDC-T222 WO



### GLBDC-T222 WO

Charging Mode	Mode 3
Socket or Tethered Lead	Socket (type 11)
AC Output Current (A)	6,10,16,20,25,32
Power outlet [kW]	3.7KW,7.4KW, 11KW, 22KW
Rated voltage [V AC]	230 / 400
Frequency [Hz]	50
Temperature range [C]	-25...+40
Degree of protection (IP)	44
Weight(KG)	3.2
Location	Wall or GLB Stand
DC Monitoring	Standard
Load management	Yes, with GNM3D/3T-rs485
Local Meter	Option, with GNM3D-rs485
Input for timer/low tariff	Standard, with DV2K timer
Wifi Card	Option
RFID	Option with Wifi card
Communication	Option, with G-Cloud
Certification	EN 61851-1, IEC 61439-7





Dokument/document		Utgåva datum/edition date
Försäkran om överensstämmelse/ Declaration of conformity		2015-05-04
Avdelning/department Kvalitet/Quality		
Ansvarig/prepared	Version	Sida/page
Kent Andersson	4	1 av/of 1

**Manufacturerer/Tillverkare:** GARO AB  
Box 203  
S-335 25 GNOSJÖ  
Sweden

Telephone: +46 (0)370 33 28 00  
Telefax: +46 (0)370 33 28 50

**Agent established within EC/Ombud etablerad inom EG**

Telephone:  
Telefax:

**Agent of equipment/Materielslag:** Electric Charging Station for EV/Laddstation för elbil

**Trade Mark/Varumärke:** GARO

**Type Designation/Typbeteckning:**

GARO Home Charger    \_Product code: GLB-T222    WO, B, FC  
GARO Home Charger    \_Product code: GLBDC-T222    WO, FC  
GARO Home Charger    \_Product code: GLB-B-DCM T2-7.4-22    WO A - R - LAN - MC

**We hereby declare that our product fulfils the requirements of following EC directives/  
Vi intygar härmed att vår produkt uppfyller krav enligt följande EU direktiv:**

- The Low Voltage Directive (LVD) 2014/35/EU / Lågspänningsdirektivet (LVD) 2014/35/EU.**
- Electromagnetic compatibility (EMC) 2014/30/EU / Elektromagnetisk kompatibilitet (EMC) 2014/30/EU.**
- RoHS Directive (RoHS) 2011/65/EU / RoHS direktivet (RoHS) 2011/65/EU.**
- No electromagnetic compatibility (EMC 2014/30/EU) immunity or emission tests are required on the assembly / Produkten innehåller inte elektroniska apparater som påverkas enligt förbehållen enligt direktivet (EMC) 2014/30/EU.**

**The following harmonised standards (latest edition) or technical specifications which comply with good engineering practice in safety matters in force within the EC have been used in the design:/**

Följande harmoniserade standarder (senaste utgåva) eller tekniska specifikationer som uppfyller god säkerhetsteknik praxis inom EG har använts i konstruktionen: **IEC 61851-1 och IEC TS 61439-7**

- The equipment confirms completely with the above stated harmonised standards or technical specifications./  
Materielen överensstämmer helt med ovan angivna harmoniserade standarder eller tekniska specifikationer.**

**Or/Eller**

**The equipment confirms only partially with the above stated harmonised standards or technical specifications but complies with good practice in safety matters in force within the EC./**

Materielen överensstämmer endast delvis med ovan angivna harmoniserade standarder eller tekniska specifikationer, men uppfyller god säkerhetsteknisk praxis inom EG.

**We have product surveillance according to CENELEC's harmonised requirements, documents CCA-201.**

GARO AB  
Company/Företag

2016-05-12  
Date/Datum

  
Sign/Underskrift

Responsible for Technology and standardization/Teknik och standardiseringsansvarig  
Position/Befattning

Kent Andersson  
Sign in printed letters/Namnförtydligande